

TI2000-375

Cobra™ DC Aviation Receptacle



Power Anytime, Anywhere

The Tesla™ Cobra™ DC Aviation Receptacle is constructed from a rugged combination of advanced composite materials and corrosion-resistant alloys. The result is a weatherproof aviation plug that will withstand battlefield conditions and other extreme environments. Along with highly conductive contact materials, the virtually indestructible design make it the last dc aviation receptacle you will ever need.

Features:

- Rated to 3000 peak amps
- Military Standard MS3506
- Clamped cable connections
- UV, fuel, fungus, and oil resistant
- Manufactured by Tesla™
- Exceeds MIL-STD-810
- Tested to withstand 50 G of force



Tesla™ Industries, Inc.

www.teslaind.com ♦ www.tesla1.com

Email: tesla1@teslaind.com

Headquarters: (302) 324-8910

101 Centerpoint Blvd. New Castle, DE 19720

Western Regional Office: (775) 622-8801

9475 Double R Blvd. Suite 2, Reno, NV 89521



The POWER
Of
RED™



Features and Benefits

Weatherproof Construction

Through a series of strategically placed seals and bushings, once installed the Cobra™ Aviation Receptacle is hermetically sealed to lock out rain, snow, sand and other harmful debris.

Internal Cable Connections

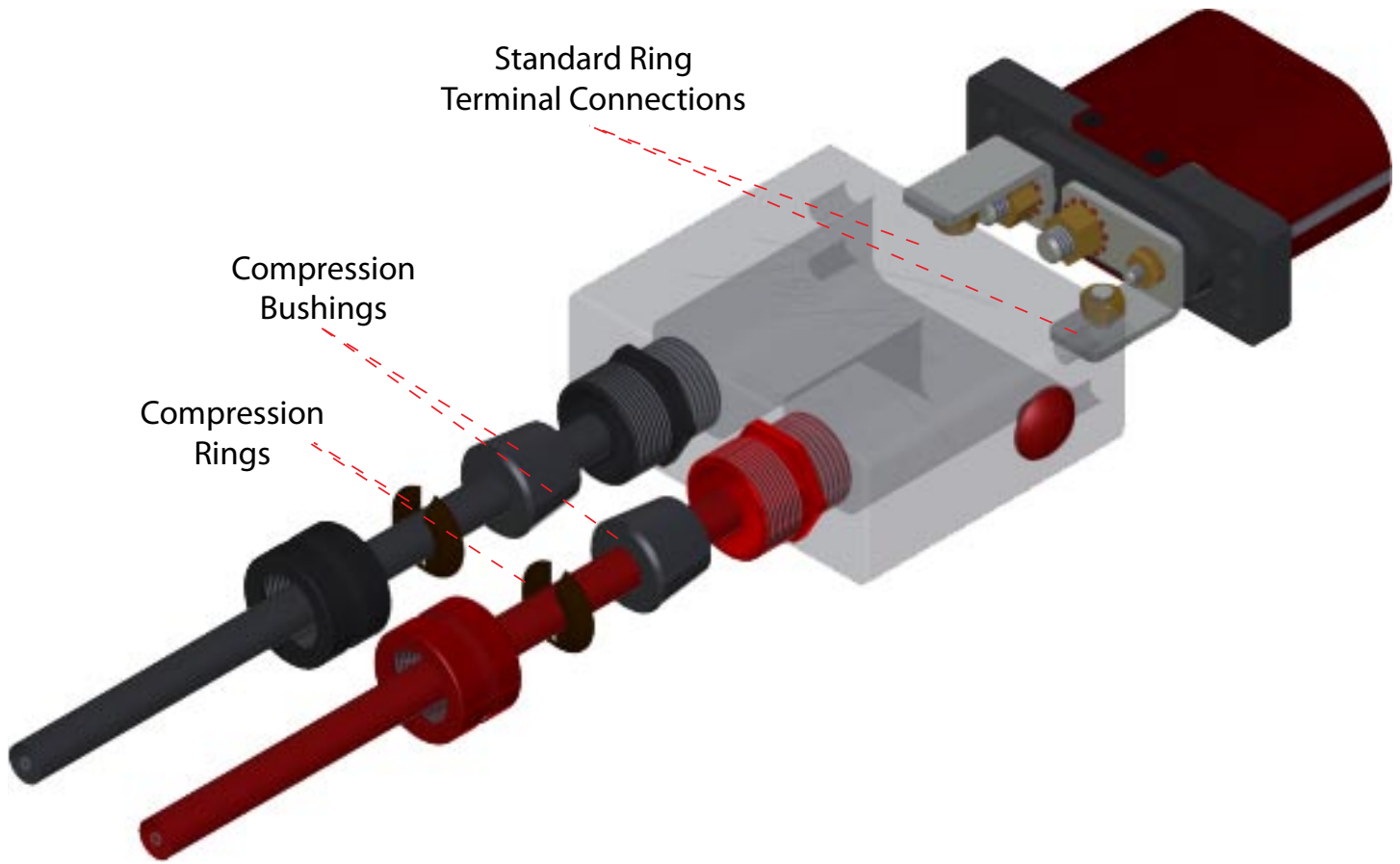
Unlike connectors with cables molded directly into the housing, easily accessible lugs allow for direct termination inside of the plug. Additionally, compression grommets and bushings provide strain relief. This unique combination of protection eliminates dangerous shocks from exposed wiring due to cable stretching and splicing.

Rugged, Durable, Reliable

Made from virtually indestructible composite materials, the plug housing won't crack, melt, blister, dry-rot or disintegrate. This, in conjunction with corrosion resistant conductors, ensures that the Cobra™ Aviation Receptacle will still be in the field long after other plugs have failed.

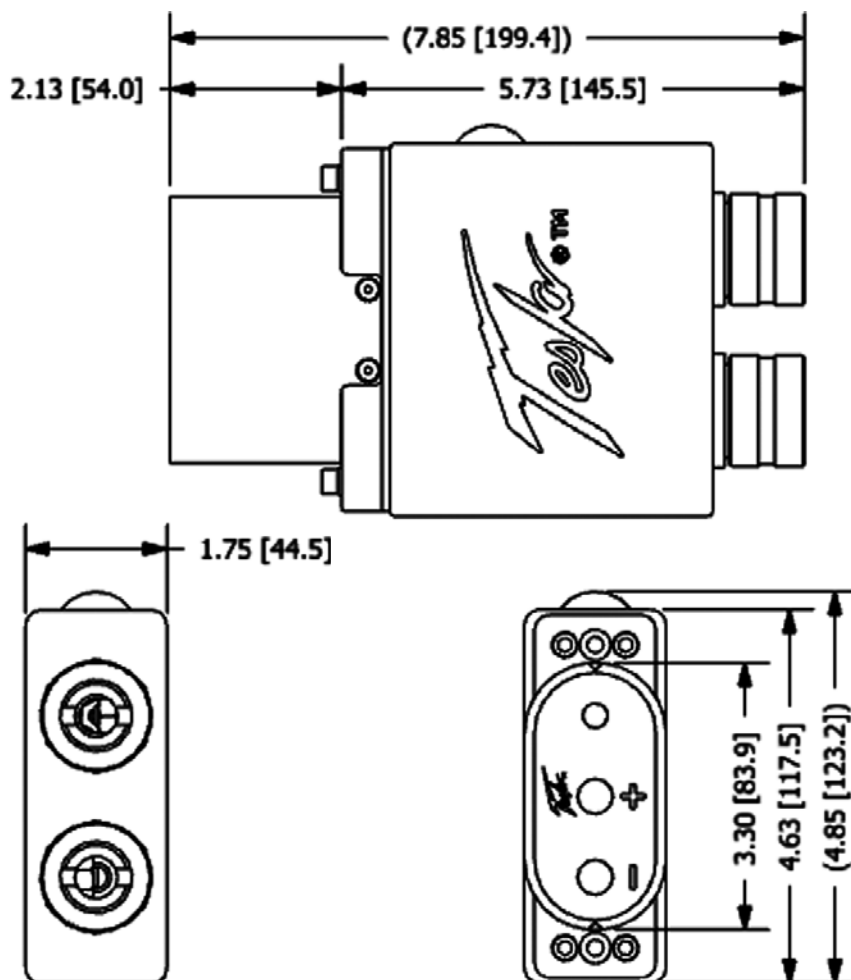


Components - Exploded View



The Tesla™ Cobra™ DC Aviation Receptacle allows for secure connections with our Cobra™ TI2005-238 DC Aviation Plug. To order the receptacle or plug call Tesla™ Customer Service at (302) 324-8910.

Dimensions and Technical Specifications



* All dimensions are in inches [millimeters]

Technical Specifications:

Terminal Lugs Stud Size	1/4"
Military Standard	MS3506
Storage Temperature	-65 °C - 125 °C (-85 °F - 257 °F)
Operating Temperature	-40 °C - 110 °C (-40 °F - 230 °F)
Rated Current	1500 A Continuous
Rated Voltage	18 - 32 VDC
Dielectric Strength	> 6000 VDC for 1 min. across contacts
Insulation Resistance	4 GΩ w/1 kV across contacts
Contact Resistance	< 60 μΩ @ 25 °C
Shock	50 G
Vibration	MIL-STD-810
Weight	2.2 lbs (1.00 kg)
Warranty	2 years (3 years optional)