



TI4200 GPU-24

Power Anytime, Anywhere



Benefits

- Ideal for small to medium size, fixed wing aircraft
- Perfect for testing and troubleshooting (avionics, TMDE, electronics, and hydraulics)
- System back-charges from the started vehicles' engine in minutes
- Will charge and maintain vehicle batteries when unit is left connected to vehicle (ac power required)
- Safe, easy, maintenance-free operation

Safe and Easy Operation

- One person can maneuver and operate the unit
- Safe for flight, non-hazardous, dry-cell technology
- "Push to Test" feature provides instant state of charge

Pure Power

- No spikes or surges
- 1500 peak starting amps
- 23 amp hours of rechargeable battery power without ac
- 223 amp hours with ac power
- Operates and charges from 200-260 Vac power 50/60 Hz
- 200 amps continuous @ 28.5 Vdc (when plugged into ac power)

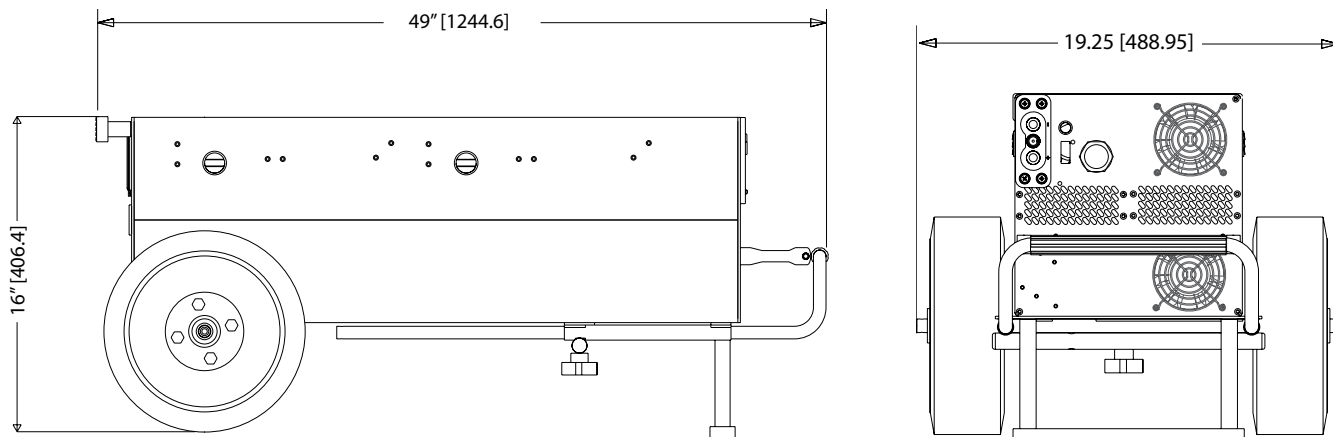


INCLUDES	<p>TI4200 GPU-24 NSN: 6130-01-452-2804 (CL IX)</p>  <p>TI2007-208 8ft. DC Aviation Cable Assembly</p>	<p>TIMV4200 GPU-24 NSN: 6130-01-475-5331 (CL IX)</p>  <p>TI2007-315 15ft. DC NATO Cable Assembly</p>	<p>All configurations include...</p>  <p>TI21000-097 (2721) Hardwired Three Phase Plug AC Line Cord Length: 25ft</p>
----------	--	--	---

Tesla™ Industries, Inc.
 www.teslaind.com ♦ www.tesla1.com
 Email: tesla1@teslaind.com
Headquarters: (302) 324-8910
 101 Centerpoint Blvd. New Castle, DE 19720
Western Regional Office: (775) 622-8801
 9475 Double R Blvd. Suite 2, Reno, NV 89521



Dimensions and Technical Specifications



* All dimensions are in inches [millimeters]

Technical Specifications:

DC Output	23 amp hours (512 watts) of rechargeable power without ac power 223 amp hours (6212 watts) with ac power 200 amps continuous @ 28.5 Vdc (plugged into ac power)
Peak Starting Amps	1500 A
AC Input	<ul style="list-style-type: none"> Operates and charges from Three Phase 200-260 Vac, 50/60 Hz 20 Amps @ 208 Vac Requires 30 amp service (contact Tesla for receptacle information)
Recharging Rate	12 minutes (from full discharge) @ 25 °C
Vibration	Exceeds MIL-STD-810
Storage Temperature	-65 °C to 105 °C (-85 °F to 221 °F)
Operating Temperature w/o AC Power	-40 °C to 60 °C (-40 °F to 140 °F)
Operating Temperature w/ AC Power	-40 °C to 55 °C (-40 °F to 131 °F)
Weight	148 lbs (67.13 kg)

Optional Accessories:



TI7000-104 Protective Cover



TI7000-175 Shipping Case