



TI5200 GPU-24-PFC

Power Anytime, Anywhere



Benefits

- 200 continuous amps from a single phase outlet
- Ideal for small to medium size, fixed wing aircraft
- Perfect for testing and troubleshooting (avionics, TMDE, electronics, and hydraulics)
- System back-charges from the started vehicles' engine in minutes
- .999% power factor
- <2% THD (Total Harmonic Distortion)
- Will charge and maintain vehicle batteries when unit is left connected to vehicle (ac power required)
- Safe, easy, maintenance-free operation

Safe and Easy Operation

- One person can maneuver and operate the unit
- Safe for flight, non-hazardous, dry-cell technology
- "Push to Test" feature provides instant state of charge

Pure Power

- No spikes or surges
- 3000 peak starting amps
- 200 amps continuous @ 28.5 Vdc (when plugged into ac power)
- 46 amp hours (1024 watt hours) of rechargeable battery power without ac
- 246 amp hours (6724 watt hours) with ac power
- Operates and charges from single phase 200-260 Vac power 40 Hz - 450 Hz

INCLUDES



TI25000-058 (CS8265) 25ft. Hardwired Single Phase Plug AC Line Cord

and



TI2007-208
8ft. DC Aviation Cable Assembly

or



TI2007-315
15ft. DC NATO Cable Assembly

Tesla™ Industries, Inc.

www.teslainsd.com ♦ www.tesla1.com

Email: tesla1@teslainsd.com

Headquarters: (302) 324-8910

101 Centerpoint Blvd. New Castle, DE 19720

Western Regional Office: (775) 622-8801

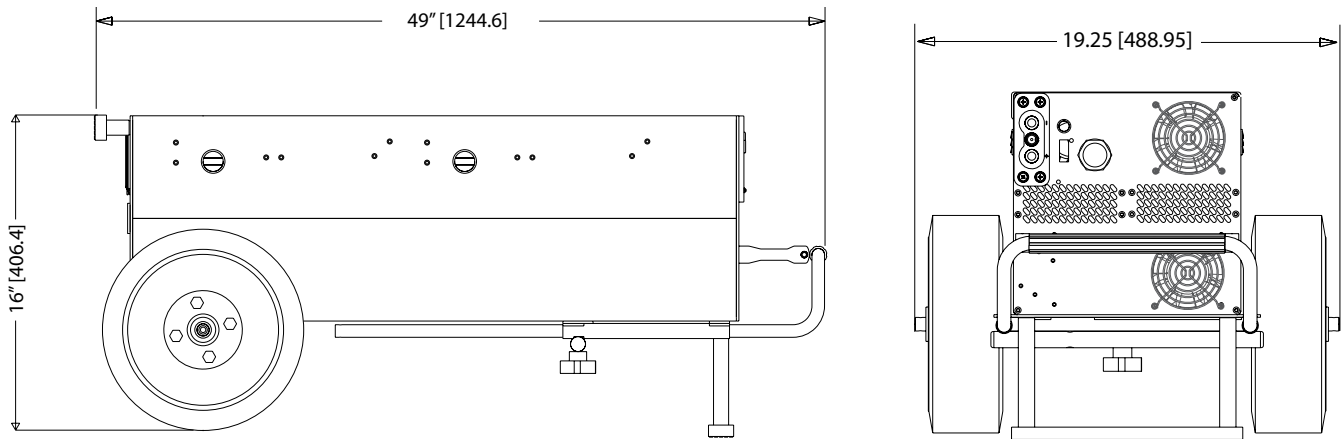
9475 Double R Blvd. Suite 2, Reno, NV 89521



**The POWER
Of RED™**



Dimensions and Technical Specifications



* All dimensions are in inches [millimeters]

Technical Specifications:

DC Output	46 amp hours (1024 watts) of rechargeable power without ac power 246 amp hours (6724 watts) with ac power 200 amps continuous @ 28.5 Vdc (plugged into ac power)
Peak Starting Amps	3000 A
AC Input	Operates and charges from Single Phase 200-260 Vac / 40 Hz - 450 Hz 33.5 amps @ 208 Vac Requires 50 amp service (contact Tesla for receptacle information)
Recharging Rate	19 minutes (from full discharge) @ 25 °C
Vibration	Exceeds MIL-STD-810
Storage Temperature	-65 °C to 105 °C (-85 °F to 221 °F)
Operating Temperature w/o AC Power	-40 °C to 60 °C (-40 °F to 140 °F)
Operating Temperature w/ AC Power	-40 °C to 55 °C (-40 °F to 131 °F)
Weight	177 lbs (80.28 kg)

Optional Accessories:



TI7000-104 Protective Cover



TI7000-175 Shipping Case