



TI5200 GPU-24

Power Anytime, Anywhere

Pure Power - No Spikes or Surges

- 24 Vdc for engine starting
- 200 amp continuous @ 28.5 Vdc power (plugged into ac power) for testing and troubleshooting
- Technology upgrades available

Infinite Engine Starts

- 3000 peak starting amps
- System back charges from the started vehicle's engine
- Ideal power for motor pools and deployment

Safe and Easy Operation

- One person can maneuver and operate the unit
- Non-hazardous, dry-cell technology
- "Push to Test" feature provides instant state of charge

Maintenance-Free Performance

- Operates from 200 - 260 Vac power, 3-phase 20 amps
- Simply plug into ac power when not in use
- 5 to 7 year service life with a 2 year warranty (3 years optional)



INCLUDES

TI5200 GPU-24
NSN: **6130-01-475-5312** (CL IX)



TI2007-208
8ft. DC Aviation Cable
Assembly

TIMV5200 GPU-24
NSN: **6130-01-475-5348** (CL IX)



TI2007-315
15ft. DC NATO Cable
Assembly

All configurations include...



TI21000-097 (2721)
Hardwired Three Phase Plug
AC Line Cord Length: 25ft

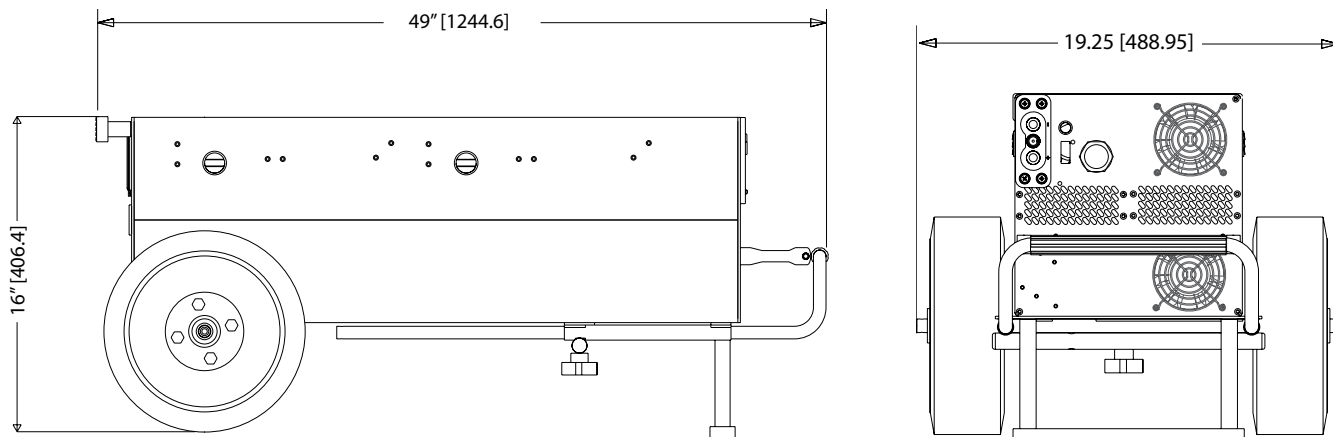
Tesla™ Industries, Inc.
www.teslainsd.com ♦ www.tesla1.com
 Email: tesla1@teslainsd.com
Headquarters: (302) 324-8910
 101 Centerpoint Blvd. New Castle, DE 19720
Western Regional Office: (775) 622-8801
 9475 Double R Blvd. Suite 2, Reno, NV 89521



**The POWER
Of RED™**



Dimensions and Technical Specifications



* All dimensions are in inches [millimeters]

Technical Specifications:

DC Output	46 amp hours (1024 watts) of rechargeable power without ac power 246 amp hours (6724 watts) with ac power 200 amps continuous @ 28.5 Vdc (plugged into ac power)
Peak Starting Amps	3000 A
AC Input	<ul style="list-style-type: none"> Operates and charges from Three Phase 200-260 Vac, 50/60 Hz 20 amps @ 208 Vac Requires 30 amp service (contact Tesla™ for receptacle information)
Recharging Rate	19 minutes (from full discharge) @ 25 °C
Vibration	Exceeds MIL-STD-810
Storage Temperature	-65 °C to 105 °C (-85 °F to 221 °F)
Operating Temperature w/o AC Power	-40 °C to 60 °C (-40 °F to 140 °F)
Operating Temperature w/ AC Power	-40 °C to 55 °C (-40 °F to 131 °F)
Size	Size: 49" L x 19.25" W x 16" H (1244.6 mm x 488.95 mm x 406.4 mm)
Weight	186 lbs (84.37 kg)

Optional Accessories:



TI7000-104 Protective Cover



TI7000-175 Shipping Case