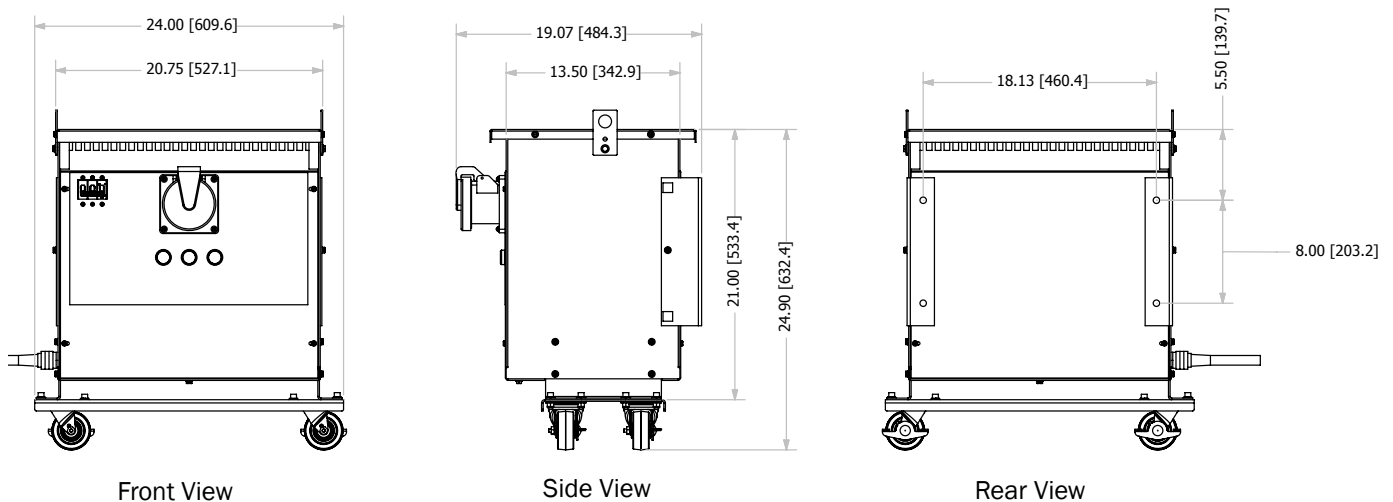




TI2000-222 Step Down Transformer

Power Anytime, Anywhere

- 15 kVA, 3-phase, 50/60 Hz.
- Input 380 / 400 / 415 (360 - 440) VAC, 3 Phase, 42 Amps Max. 50/60 Hz
- Output 208 VAC 60 Amps Max. 50/60 Hz
- Converts DELTA 3-phase to 208 VAC, 3-phase.
- Used with the TI4400 and TI5400 Series GPUs.
- Removable Wheel Base
- Attached Mounting Bracket on rear of Transformer
- Size: 18.61" L x 24" W x 24.9" H
472.69 mm x 609.6 mm x 632.46 mm
- Weight: 235.5 lbs (106.82 kg)



* All dimensions are in inches [millimeters]