

TI2006-314

Cobra Power NATO

Slave Cable Assembly



Power Anytime, Anywhere

The Tesla™ Cobra™ Power NATO Slave Cable Assembly is constructed from a rugged combination of advanced composite materials and corrosion-resistant alloys. It features Tesla's Cobra™ NATO plugs. The result is a weatherproof cable assembly that will withstand the harshest battlefield conditions and other extreme environments. Incorporating state-of-the-art electronic control through a Power On/Off switch, the Cobra™ Power NATO Slave Cable Assembly can provide safe and efficient power transfer of up to 3000 peak amps – no more damage or injury to equipment, plugs and personnel.

Features:

- State-of-the-art electronic control
- Reliable switching up to 3000 peak amps
- 500 amps continuous
- UV, fuel, fungus, water, and oil resistant
- Exceeds MIL-STD-810G
- Tested to withstand 50 G of force
- Easy component replacement
- Manufactured by Tesla™



Tesla™ Industries, Inc.

www.teslainsd.com

Email: tesla1@teslainsd.com

Headquarters: (302) 324-8910

101 Centerpoint Blvd. New Castle, DE 19720 USA

Western Regional Office: (775) 622-8801

9475 Double R Blvd. Suite 2, Reno, NV 89521 USA



The **POWER**
Of
RED™



Features and Benefits

Power Control

The TI2006-314 is equipped with a POWER ON/OFF switch (shown in Figure 1) which controls reliable switching of up to 3000 peak amps. A “Power On Indicator” LED, located next to the switch, indicates that there is an electric current going through the cable assembly. Once the LED is illuminated, power can be transferred from the ground power unit to the mechanized vehicle.

Rugged, Durable, Reliable

Made from virtually indestructible composite materials, the plug housing won’t crack, melt, blister, dry-rot or disintegrate. In addition, the control electronics are housed in a durable enclosure (shown in Figure 2). Together these features insure that the Tesla™ Cobra™ Power NATO Slave Cable Assembly will still be in the field long after other cables have failed.

Internal Cable Connections

Unlike connections that are molded directly into the plug housing, easily accessible lugs allow for direct termination inside of the plug (shown in Figure 3). Additionally, compression grommets and bushings provide strain relief. This unique combination of protection eliminates potential shocks from exposed wiring due to cable stretching and splicing.

Weatherproof Construction

Through a series of strategically placed seals and bushings, the Tesla™ Cobra™ Power NATO Slave Cable Assembly is hermetically sealed to lock out rain, snow, sand or any other form of damaging debris.

Replaceable Contacts

Manufactured from highly conductive alloys, the contacts are resistant to damage and corrosion. Once installed, contacts are hermetically sealed within the plug as shown in Figure 4.

Insertion/Extraction Tools

Contacts can be easily replaced “in-the-field” without discarding the entire plug using the Insertion/Extraction Tools. The tools and contact replacements can be ordered through Tesla™ Customer Service at (302) 324-8910.



Figure 1: Power ON/OFF Switch and Indicator



Figure 2: Electronics Control Enclosure



Figure 3: Easily accessible terminal lugs



Figure 4: Sealed and easily replaceable contacts

Components - Exploded View

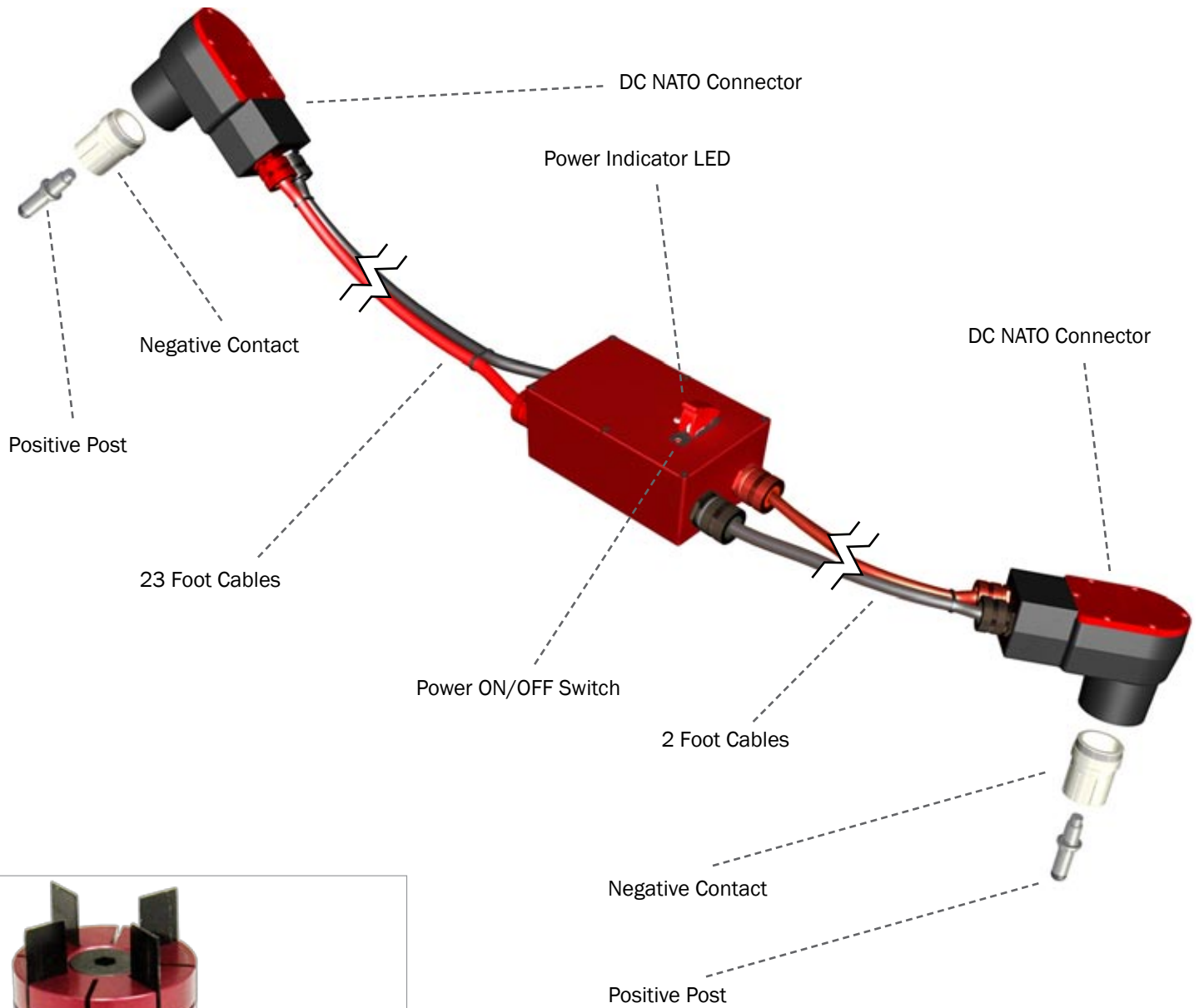
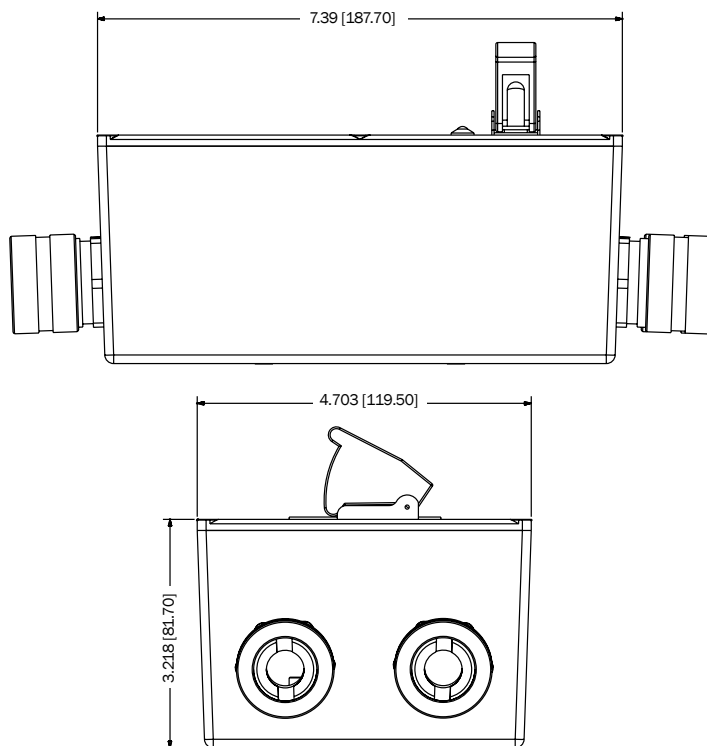
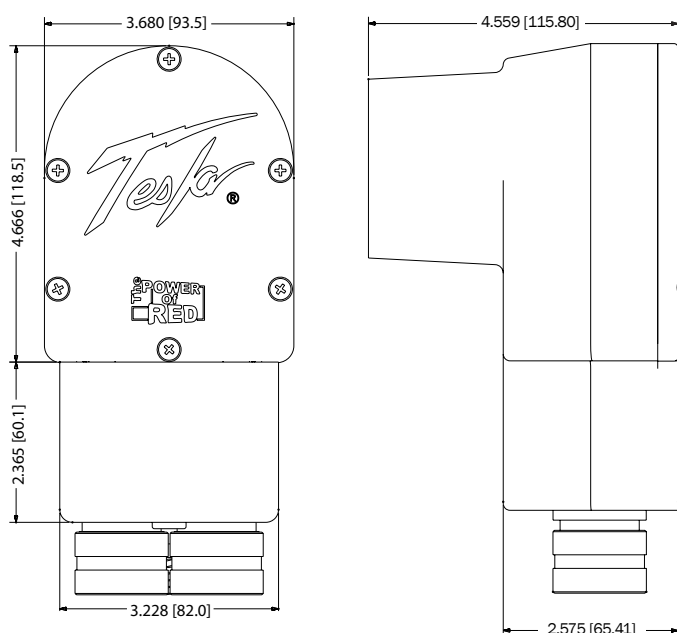


Figure 3:
A. Negative Insertion/Extraction Tool: TI2005-126
NSN: 5120-01-523-8761
B. Negative Contact: TI2005-121
NSN: 5999-01-525-0582
C. Positive Post: TI2004-4444

Dimensions and Technical Specifications



* All dimensions are in inches [millimeters]

* All dimensions are in inches [millimeters]

Technical Specifications:

Input Voltage Range	12 - 32 Vdc
Peak Current	3000 A
Rated Current	1500 A
Power Consumption (Disengaged)	170 mA
Power Consumption (Engaged)	500 mA
Inrush Current (@ 28 Vdc)	3.8 A @ 130 mS
Air Gap-leakage Path	0.355" (9 mm)
Protection Class	IP28C
Test Voltage Dielectric	5000 Vdc
Operating Temperature	-25° to 60° C (-32° to 140° F)
Storage Temperature	-40° to 85° C (-40° to 185° F)
Weight	32.0 lbs. (14.51 kg)
Warranty	2 years (3 years optional)



Field Tested

To prove its toughness and dependability, the Cobra NATO Plug was subjected to the harshest abuse. The photo above shows the NATO plug can withstand the weight of a 70 ton M1 Abrams tank. Even after this severe punishment, the plug was still fully functional.