



Power Anytime, Anywhere

# TI2000 GPU-24

**TI2000 GPU-24 (Aviation)**

NSN: 6130-01-445-9539 (CL IX)

**TIMV2000 GPU-24 (Mechanized)**

NSN: 6130-01-475-5314 (CL IX)



## Benefits

- Ideal for hangars, FOBs, motor pools, and deployments
- Perfect for testing and troubleshooting (avionics, TMDE, electronics, and hydraulics)
- System back-charges from the started vehicles' engine in minutes
- Will charge and maintain vehicle batteries when unit is left connected to vehicle (ac power required)
- Safe, easy, maintenance-free operation

## Safe and Easy Operation

- One person can maneuver and operate the unit
- Safe for flight, non-hazardous, dry-cell technology
- "Push to Test" feature provides instant state of charge

## Pure Power

- No spikes or surges
- 3000 peak starting amps
- 46 amp hours (1024 watt hours) of rechargeable battery power
- 71 amp hours (1736 watt hours) with 110/220 Vac power
- Operates and charges from 100-260 Vac power 50/60 Hz
- 25 amps at 28.5 Vdc for testing and troubleshooting avionics, communications and weapons systems

Tesla™ Industries, Inc.

www.teslaind.com ♦ www.tesla1.com

Email: tesla1@teslaind.com

**Headquarters:** (302) 324-8910

101 Centerpoint Blvd. New Castle, DE 19720

**Western Regional Office:** (775) 622-8801

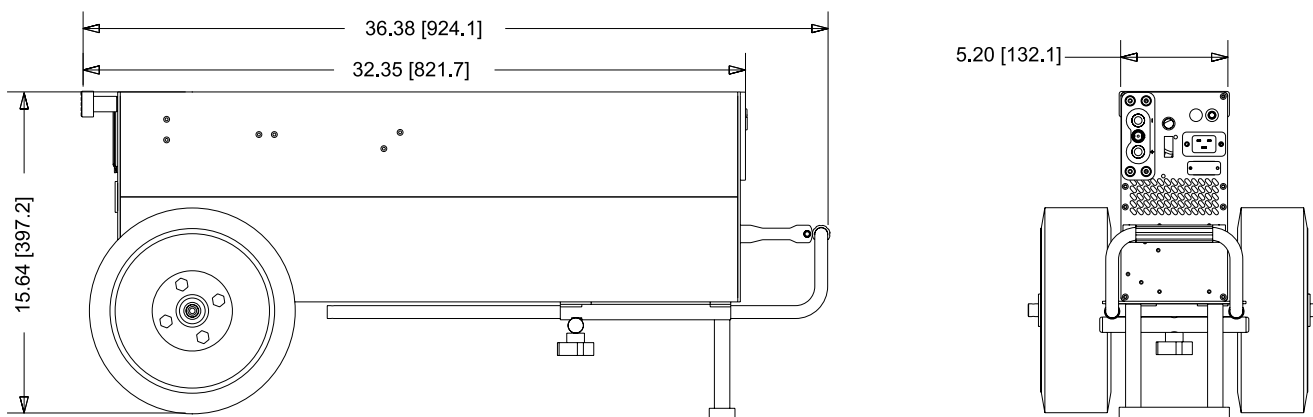
9475 Double R Blvd. Suite 2, Reno, NV 89521



The  
POWER  
Of  
RED™



# Dimensions and Technical Specifications



\* All dimensions are in inches [millimeters]

## Technical Specifications:

|                                    |                                                                                                                                                                      |
|------------------------------------|----------------------------------------------------------------------------------------------------------------------------------------------------------------------|
| DC Output                          | 46 amp hours (1024 watts) of rechargeable power without ac power<br>71 amp hours (1736 watts) with ac power<br>25 amps continuous @ 28.5 Vdc (plugged into ac power) |
| Peak Starting Amps                 | 3000 A                                                                                                                                                               |
| AC Input Power                     | <ul style="list-style-type: none"> <li>Operates and charges from Single Phase 100-260 Vac, 50/60 Hz</li> <li>10 amps @ 120 Vac</li> <li>5 amps @ 240 Vac</li> </ul>  |
| Recharging Rate                    | 115 minutes (from full discharge) @ 25 °C                                                                                                                            |
| Vibration                          | Exceeds MIL-STD-810                                                                                                                                                  |
| Storage Temperature                | -65 °C to 105 °C (-85 °F to 221 °F)                                                                                                                                  |
| Operating Temperature w/o AC Power | -40 °C to 60 °C (-40 °F to 140 °F)                                                                                                                                   |
| Operating Temperature w/ AC Power  | -40 °C to 55 °C (-40 °F to 131 °F)                                                                                                                                   |
| Weight                             | 124 lbs (56.24 kg)                                                                                                                                                   |
| Warranty                           | 2 years (3 years optional)                                                                                                                                           |

**INCLUDES**

**All configurations INCLUDE**  
**TI25000-211**  
NEMA 515P North American Line Cord



TI2000 GPU-24  
NSN: **6130-01-445-9539** (CL IX)



**TI2007-208**  
8ft. DC Aviation Cable Assembly

TIMV2000 GPU-24  
NSN: **6130-01-475-5314** (CL IX)



**TI2007-315**  
15ft. DC NATO Cable Assembly

**OPTIONAL ACCESSORIES**



TI7000-025 Shipping Case  
NSN: 8145-01-445-3667



TI7000-047 Protective Cover