

TI206 MPU-24



Power Anytime, Anywhere

The Tesla™ TI206 Micro Power Unit is a complete battery system that incorporates patented power cell technology with an intelligent charging system and ac-dc converter. Specifically designed to fit the Bell 206 Helicopter, the TI206 MPU-24 provides faster, cooler aircraft starts while eliminating the problems normally associated with aviation batteries and battery maintenance. The TI206 provides more power than comparable NiCd batteries with no risk of thermal runaway. Plus, Tesla™ stands behind the TI206 MPU-24 with a three-year warranty, a trained support team, and an experienced staff of customer service professionals.

Features:

- Rated to 1500 peak starting amps
- 10 amps of continuous power @ 28.5 Vdc when plugged into ac power
- 23 amp hours (512 watt hours) of rechargeable battery power without ac power
- 33 amp hours (797 watt hours) with ac power
- 5 to 7 year service life with a 3 year warranty
- Non-hazardous, dry-cell technology
- Built in Capacity Meter/Recharge State Indicator
- Back-charges off of dc aircraft bus



Tesla™ Industries, Inc.

www.teslainsd.com

Email: tesla1@teslainsd.com

Headquarters: (302) 324-8910

101 Centerpoint Blvd. New Castle, DE 19720 USA

Western Regional Office: (775) 622-8801

9475 Double R Blvd. Suite 2, Reno, NV 89521 USA

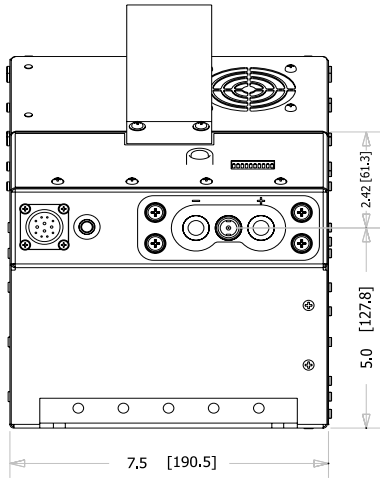


The **POWER**
Of
RED™

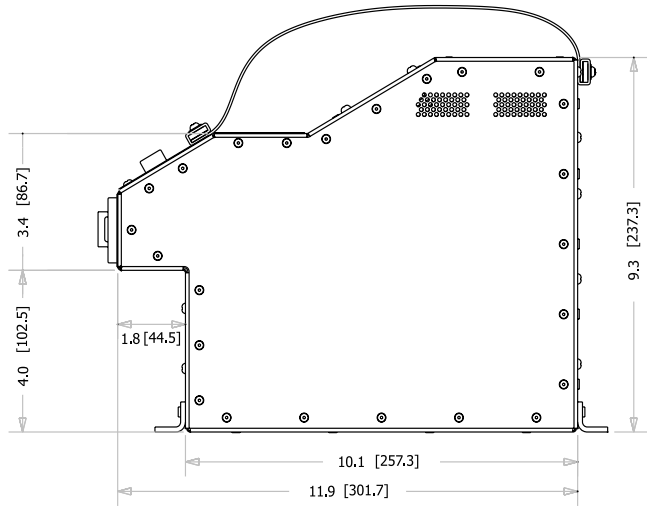


Dimensions and Technical Specifications

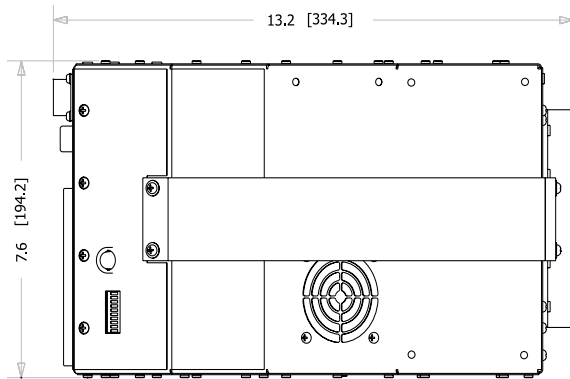
* All dimensions are in inches [millimeters]



Front View



Side View



Top View



Technical Specifications:

Peak Starting Amps	1500 A
Storage Temperature	-65° C to +105° C (-85° F to 221° F)
Operating Temperature with AC	-40° C to +55° C (-40° F to 131° F)
Operating Temperature without AC	-40° C to +60° C (-40° F to 140° F)
DC Output - Continuous	28.5 Vdc @ 10 amps
DC Output - Rechargeable	24.0 Vdc @ 23 amp hours
AC Input	Operates and charges from single phase 100-260 Vac 45-450 Hz 5.5 amps @ single phase 120 Vac 2.75 amps @ single phase 240 Vac
Recharging Rate	143 minutes w/ac power
Shock	50 G
Vibration	Exceeds MIL-STD-810
Weight	50.4 lbs (22.9 kg)
Warranty	3 years