

TI58D MPU

NSN: 6140-01-546-7470

The Tesla™ TI58D Micro Power Unit is a complete battery system that incorporates patented power cell technology with an intelligent charging system and ac-dc converter. Specifically designed to fit the OH-58D Kiowa Warrior Helicopter, the TI58D provides faster, cooler aircraft starts while eliminating the problems normally associated with aviation batteries and battery maintenance. The TI58D provides more power than comparable NiCd batteries with no risk of thermal runaway. Plus, Tesla™ stands behind the TI58D with a three-year warranty, a trained military support team, and an experienced staff of customer service professionals.

Features:

- Rated to 1500 peak starting amps
- Maintenance-free design
- 23 amp hours (512 watt hours) of rechargeable battery power without ac power
- 33 amp hours (797 watt hours) with ac power
- 10 amps of continuous power @ 28.5 Vdc for testing and troubleshooting avionics and weapons systems
- 5 to 7 year service life with a 3 year warranty
- Non-hazardous, dry-cell technology
- Built in Capacity Meter/Recharge State Indicator
- Plugs into ac power to recharge cells
- Back-charges off of dc aircraft bus



Power Anytime, Anywhere



Tesla™ Industries, Inc.

www.teslaind.com ♦ www.tesla1.com

Email: tesla1@teslaind.com

Headquarters: (302) 324-8910

101 Centerpoint Blvd. New Castle, DE 19720

Western Regional Office: (775) 622-8801

9475 Double R Blvd. Suite 2, Reno, NV 89521

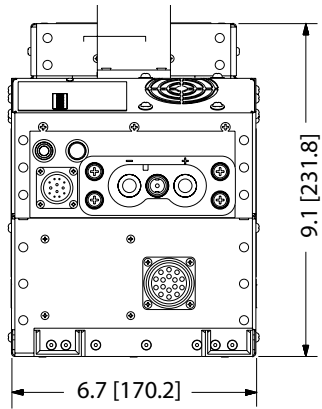


**The POWER
of
RED™**

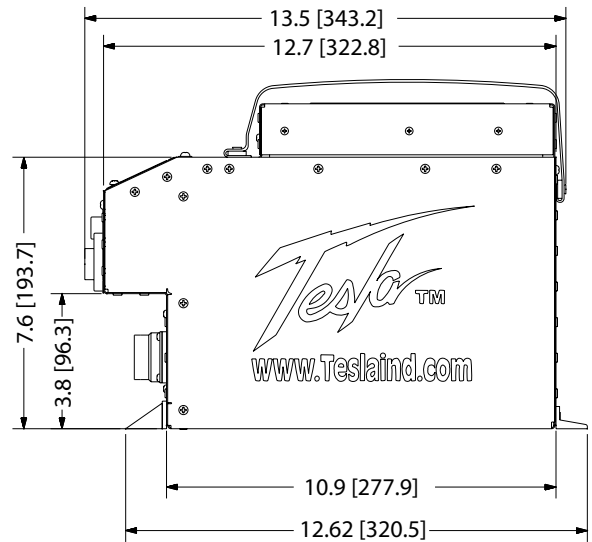


Dimensions and Technical Specifications

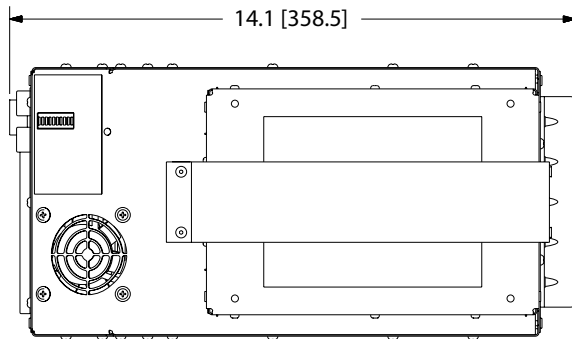
* All dimensions are in inches [millimeters]



Front View



Side View



Top View



The T158D with dc plug attached

Technical Specifications:

Peak Starting Amps	1500 A
Storage Temperature	-65 °C to +105 °C (-85 °F to 221 °F)
Operating Temperature	-40 °C - +60 °C (-40 °F - 140 °F) without ac Power
DC Output Power	10 amps continuous @ 28.5 Vdc - 285 Watts 33 amp hours (797 watt hours) with ac Power 23 amp hours (512 watt hours) without ac power
AC Input Power	Operates and charges from single phase 100-260 Vac 45-450 Hz 5.5 Amps @ single phase 120 Vac - 660 Watts 2.75 Amps @ single phase 240 Vac - 660 Watts
Recharging Rate	143 minutes @ 25 ° C
Shock	50 G
Vibration	Exceeds MIL-STD-810
Weight	52 lbs (23.58 kg)



Front View