

# TIUH60 MPU-24

The Tesla™ TIUH60 Micro Power Unit is a complete battery system that incorporates patented power cell technology with an intelligent charging system and ac-dc converter. Specifically designed to fit the UH-60 Black Hawk Helicopter, the TIUH60 provides faster, cooler aircraft starts while eliminating the problems normally associated with aviation batteries and battery maintenance. The TIUH60 provides more power than comparable NiCd batteries with no risk of thermal runaway. Plus, Tesla™ stands behind the TIUH60 with a three-year warranty, a trained military support team, and an experienced staff of customer service professionals.



**Power Anytime, Anywhere**

## Features:

- Rated to 750 peak starting amps
- Maintenance-free design
- 10 amps continuous @ 28.5 Vdc (when plugged into ac power)
- 21.5 amp hours (541 watt hours) with ac Power
- 11.5 amp hours (256 watt hours) of rechargeable battery power without ac power
- 5 to 7-year service life with a 3-year warranty
- Non-hazardous, dry-cell technology
- Built in Capacity Meter/Recharge State Indicator
- Plugs into ac power to recharge cells
- Back-charges off of dc aircraft bus



**Tesla™** Industries, Inc.

[www.teslaind.com](http://www.teslaind.com) ♦ [www.tesla1.com](http://www.tesla1.com)

Email: [tesla1@teslaind.com](mailto:tesla1@teslaind.com)

**Headquarters:** (302) 324-8910

101 Centerpoint Blvd. New Castle, DE 19720

**Western Regional Office:** (775) 622-8801

9475 Double R Blvd. Suite 2, Reno, NV 89521

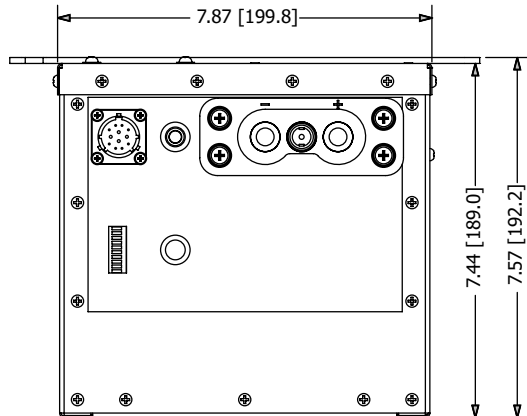


**The POWER  
Of RED™**

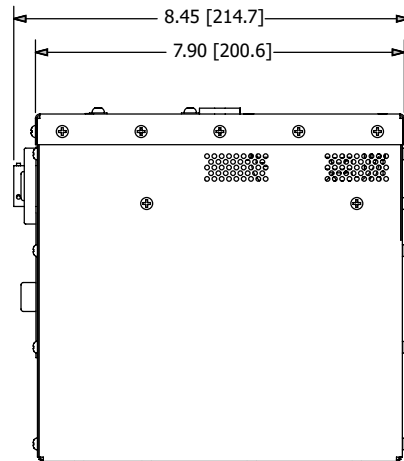


# Dimensions and Technical Specifications

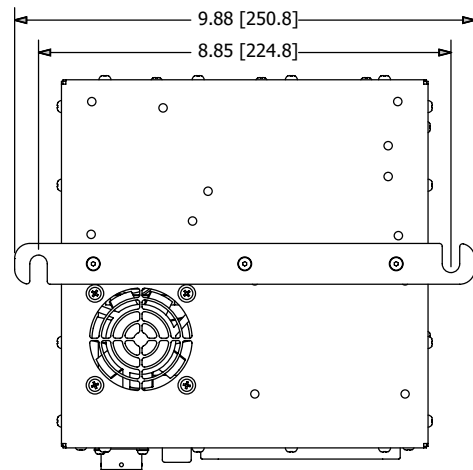
\* All dimensions are in inches [millimeters]



Front View



Side View



Top View

## Technical Specifications:

Peak Starting Amps	750 A
Storage Temperature	-65 °C to +105 °C (-85 °F to 221 °F)
Operating Temperature with AC	-40 °C to +55 °C (-40 °F to 131 °F)
Operating Temperature without AC	-40 °C to +60 °C (-40 °F to 140 °F)
DC Output - Continuous	28.5 Vdc @10 amps
AC Input Power	Operates and charges from Single Phase 100-260 Vac 45-450 Hz 5.5 amps @ single phase 120 Vac 2.75 amps @ single phase 240 Vac
Recharging Rate	74 minutes @ 25 °C
Shock	50 G
Vibration	Exceeds MIL-STD-810
Weight	27 lbs ( 12.25 kg)
Warranty	3 years



Front View