

TI150 Series Battery Charger/Conditioner

TI15014-120 (12V/120 VAC)

TI15014-240 (12V/240 VAC)

TI15028-120 (24V/120 VAC)

TI15028-240 (24V/240 VAC)

The Tesla™ TI150 Series Battery Charger/Conditioners are systems that will rapidly recharge any 12 or 24 volt battery.* Rugged and reliable in the harshest conditions, the Tesla™ charger/conditioner recharges dead batteries faster than any other product of comparable size. Additionally, all models incorporate an intelligent recharging circuit that prevents overcharging and provides pure D.C. output for efficient battery conditioning. Tesla™ stands behind the TI150 Series Battery Charger/Conditioner with a 2-year warranty, a trained military support team, and an experienced staff of customer service professionals.

Features:

- Models TI15014-120 and TI15028-120 accept 120 VAC input
- Models TI15014-240 and TI15028-240 accept 240 VAC input
- Models TI15014-120 and TI15014-240 charge 12V batteries
- Models TI15028-120 and TI15028-240 charge 24V batteries
- Circuit Breaker protected output
- Designed for permanent installation
- Thermal/Overload protection
- Cooling fan



* Note: Depending on model chosen.

Tesla™ Industries, Inc.

www.teslainsd.com

Email: tesla1@teslainsd.com

Headquarters: (302) 324-8910

109 Centerpoint Blvd. New Castle, DE 19720 USA

Western Regional Office: (775) 622-8801

9475 Double R Blvd. Suite 2, Reno, NV 89521 USA



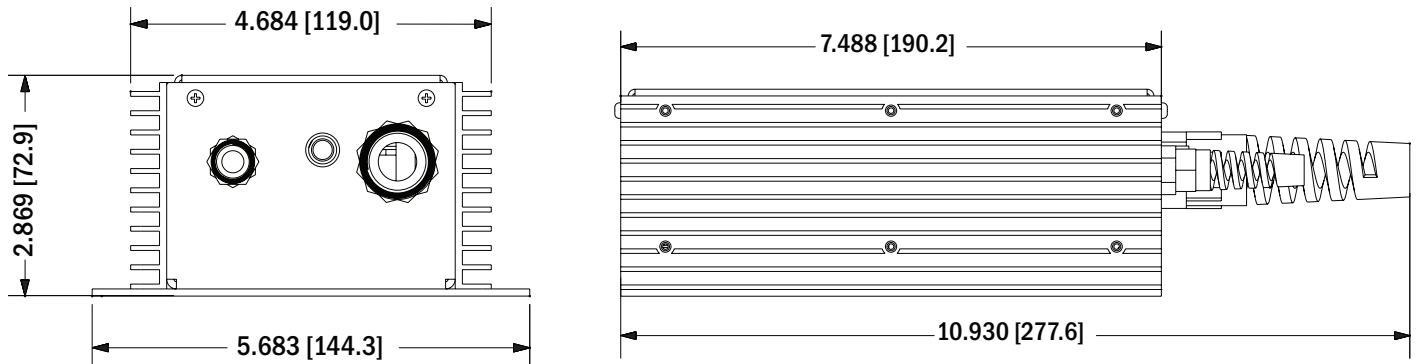
Power Anytime, Anywhere



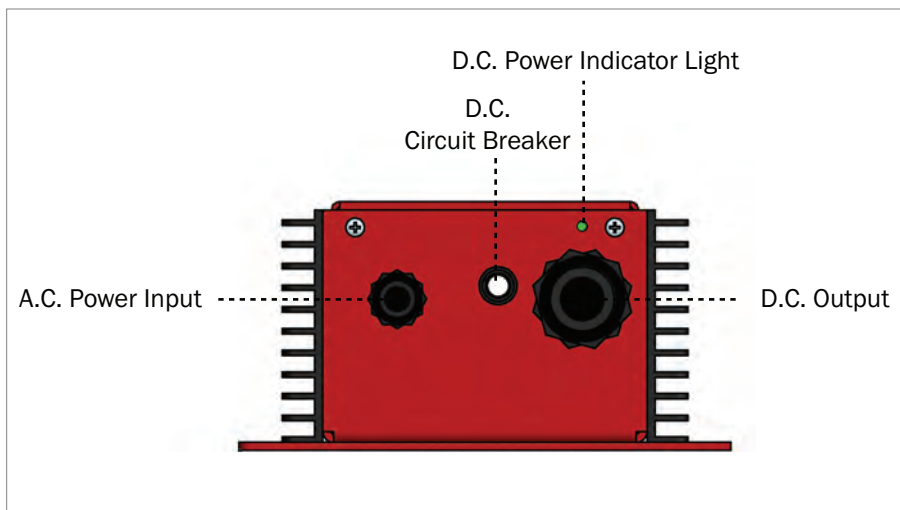
**The POWER
Of
RED™**



Dimensions and Technical Specifications



* All dimensions are in inches [millimeters]



All models of the TI150 Series Battery Charger/Conditioner are equipped with DC Output Cable Quick Disconnect cable ends. They are two styles, shown below.



TI2010-096 12/24V Cable Assembly Quick Disconnect DC Output with Ring Terminals.



TI2010-095 12/24V Cable Assembly Quick Disconnect DC Output with Alligator Clips.

Technical Specifications:

Storage Temperature	-65°C to +60°C (-85°F to 140°F)
Operating Temperature	-40°C to +60°C (-40°F to 140°F)
Voltage Configurations:	
TI15014-120	80-130 VAC, 4 A, 14.25 VDC @ 20 A
TI15028-120	80-130 VAC, 4 A, 28.5 VDC @ 10 A
TI15014-240	190-260 VAC, 2 A, 14.25 VDC @ 20 A
TI15028-240	190-260 VAC, 2 A, 28.5 VDC @ 10 A
Frequency	50 - 450 Hz
Shock	50 G
Vibration	Exceeds MIL-STD-810F
Weight	3.96 lbs (1.79 kg)
Warranty	2 years