

# TI4676 MPU

## NSN: 6140-01-467-5710

The Tesla™ TI4676 Micro Power Unit is a complete battery system that incorporates patented power cell technology with an intelligent charging system and AC-DC converter. Currently being flown in the UH-1, S-61, Falcon 200, and the AH-1 Dauphin, the TI4676 provides faster, cooler aircraft starts while eliminating the problems normally associated with aviation batteries and battery maintenance. The TI4676 provides more power than comparable NiCd batteries with no risk of thermal runaway. Plus, Tesla™ stands behind the TI4676 with a three-year warranty, a trained military support team, and an experienced staff of customer service professionals.



Power Anytime, Anywhere

### Features:

- Rated to 1500 peak starting amps
- Maintenance-free design
- 24.0 VDC @ 23 amp hours rechargeable power
- 28.5 VDC @ 10 amps continuous power for testing and troubleshooting avionics and weapons systems
- 5 to 7-year service life with a 3-year warranty
- Non-hazardous, dry-cell technology
- Built in Capacity Meter/Recharge State Indicator
- Plugs into AC power to recharge cells



Tesla™ Industries, Inc.

[www.teslainsd.com](http://www.teslainsd.com)

Email: [tesla1@teslainsd.com](mailto:tesla1@teslainsd.com)

**Headquarters:** (302) 324-8910

109 Centerpoint Blvd. New Castle, DE 19720 USA

**Western Regional Office:** (775) 622-8801

9475 Double R Blvd. Suite 2, Reno, NV 89521 USA

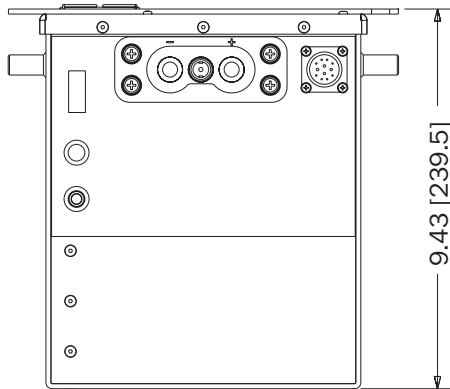


The POWER  
of  
RED™

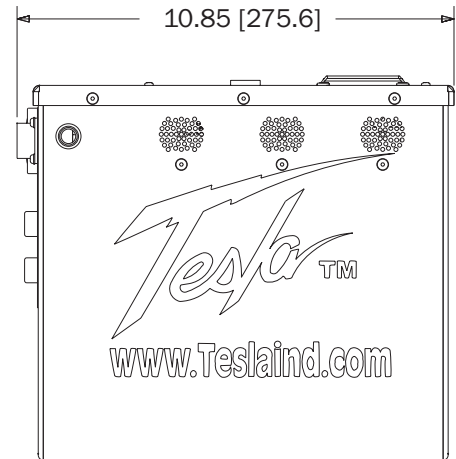


# Dimensions and Technical Specifications

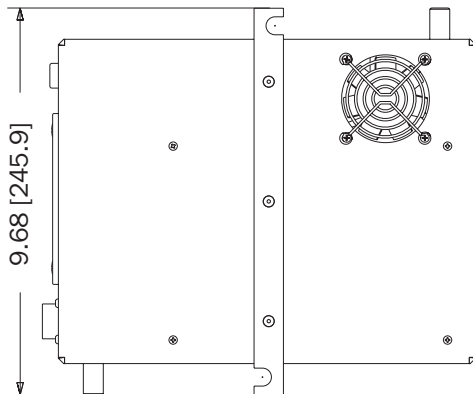
\* All dimensions are in inches [millimeters]



Front View



Side View



Top View

## Technical Specifications:

Peak Starting Amps	1500 A
Storage Temperature	-65 °C to +60 °C (-85 °F to 140 °F)
Operating Temperature	-40 °C to +60 °C (-40 °F to 140 °F)
DC Output - continuous	28.5 VDC @ 10 amps
DC Output - rechargeable	24.0 VDC @ 23 amp hours
AC Input Power	105-125 VAC, 50/60 Hz, 3.2 amps max. 210-250 VAC, 50/60 Hz, 1.6 amps max.
Recharging Rate	2 hours 20 minutes w/AC power
Shock	50 G
Vibration	Exceeds MIL-STD-810F
Weight	53 lbs (24 kg)
Warranty	3 years

The battery charging system and AC/DC converter are built right into the T14676 MPU.

